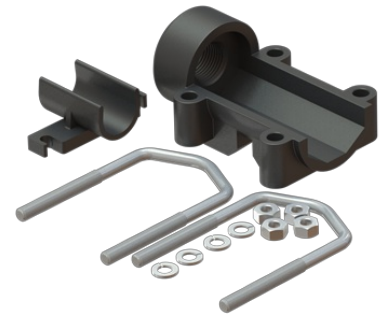


MAST/RAIL MOUNT 1"-14NF

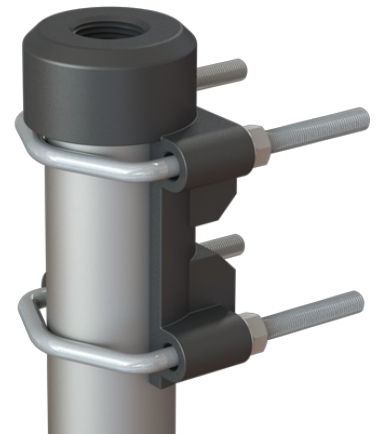
Powder coated diecast aluminium Mast/Rail Mounting Bracket 1"-14NF

- Heavy duty bracket for installation of Marine and Base Station antennas on vertical or horizontal pole
- Made from PU powder coated diecast aluminium
- The bracket is mounted vertically overhead or on side of poles \varnothing 38 - 60 mm and horizontally on side beams \varnothing 30 - 60 mm. Optionally it can be mounted on wall
- Stainless steel hardware included



MECHANICAL SPECIFICATIONS

Color	Black
Weight	600 g (Mounting Hardware included)
Mounting	On pole or rail with supplied U-bolts
Mounting place	On vertical or horizontal pole or rail with diameter \varnothing 38-60 mm. Optionally mounting on wall with screws (not supplied)
Materials	Diecast aluminium and stainless steel
For Antenna Types	All Marine and Base Station antennas with 1"-14NF threaded base
Dimension	122 x 86.5 x 65 mm



ORDERING INFORMATION

10000-183	Individually packing in Carton box
-----------	------------------------------------

PACKAGING INFORMATION

Type	Bulk packing or individually packing in Polybag or Carton box (See "ORDERING INFORMATION")
size	205 x 105 x 75 mm
weight	660 g





